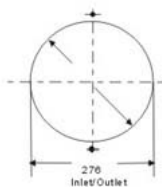
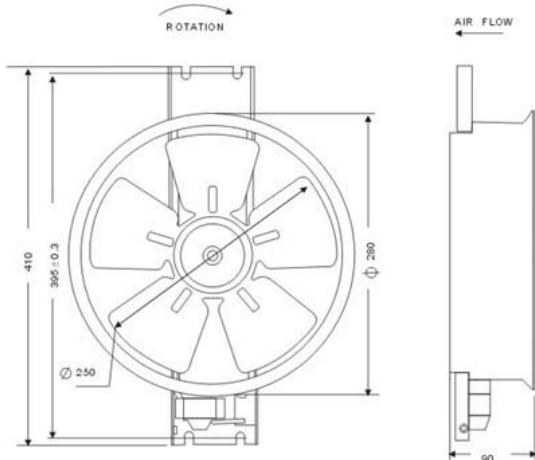




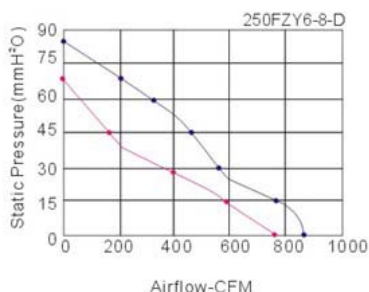
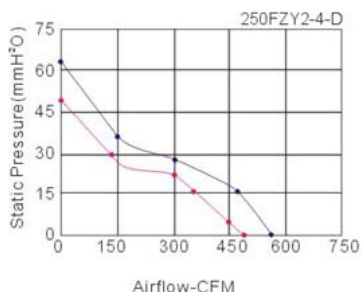
尺寸 Size:280mmx90mm  
风量 Airflow:840~1480m<sup>3</sup>/hr  
494~870CFM

重量 Weight:3100g  
噪音 Noise:58~73dBA  
风叶 Impeller:Iron Leaf  
外框 Frame:All Metal  
引线 Lead Wire:The Mostable Wire  
马达 Motor:Capacitor-Run External Rotor  
Induction Motor

安规认证 Safety:TUV>CE>CCC  
温度范围 Operation Temperature:-10°C ~ +105°C



Model (型号)	Bearing System (轴承型式)	voltage VAC (电压)	Freq. Hz (频率)	Current A (电流)	Power W (功率)	Speed RPM (转速)	Noise dBA (噪音)	AirFlow (风量)		Phase (相数)	Capacitor (电容)
								M3/hr	CFM		
250FZY2-D	Ball	200~240	50/60	0.2	40	1300/1500	58/63	840/960	494/565	1	4.0uf/450v
250FZY3-D	Ball	380~420	50/60	0.1	40	1300/1500	58/63	840/960	494/565	3	—
250FZY4-D	Ball	380~420	50/60	0.12	40	1300/1500	58/63	840/960	494/565	1	2.0uf/630v
250FZY6-D	Ball	200~240	50/60	0.5	100	2300/2700	68/73	1320/1480	776/870	1	4.0uf/450v
250FZY7-D	Ball	380~420	50/60	0.2	100	2300/2700	68/73	1320/1480	776/870	3	—
250FZY8-D	Ball	380~420	50/60	0.35	100	2300/2700	68/73	1320/1480	776/870	1	2.0uf/630v



Key  
— 60Hz  
— 50Hz