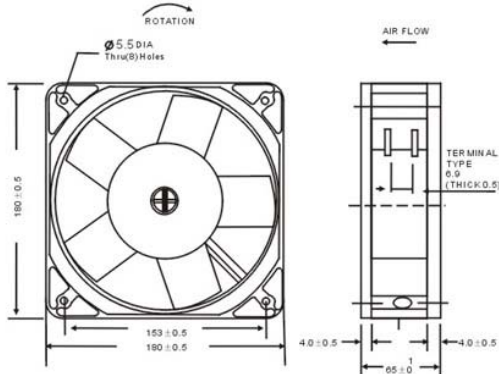


详细介绍:



尺寸 Size:180mmx180mmx65mm

风量 Airflow:586~671m³/hr

345~395CFM

重量 Weight:1200g

噪音 Noise:63~68dBA

风叶 Impeller:PBT Thermoplastic Black ,UL94-V0

外框 Frame:Aluminum Alloy

端子 Terminals: 0.5mm

引线 Lead Wire:AWG#22 UL 1015

(Optional)

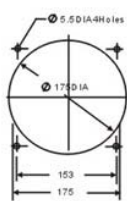
马达 Motor:Capacitor-Run Induction Motor

安规认证 Safety:UL>CUL>TUV>CE>Ⓢ

温度范围 Operation Temperature:-10°C ~ +65°C



Inlet



Outlet

Model (型号)	Bearing System (轴承型式)	voltage VAC (电压)	Freq. Hz (频率)	Current A (电流)	Power W (功率)	Speed RPM (转速)	Noise dBA (噪音)	Air Flow (风量)		Phase (相数)	Capacitor (电容)
								M3/hr	CFM		
G18065HA,B	Ball	100~125	50/60	0.42	45	2600/3000	63/68	586/671	345/395	1	3.3uf/250v
G18065HA,B	Ball	200~240	50/60	0.22	45	2600/3000	63/68	586/671	345/395	1	1.5uf/500v

