



尺寸 Size: 120mmx120mmx38mm
 风量 Airflow: 134~204m³/hr
 79~120CFM

重量 Weight: 600g

噪音 Noise: 39~50dBA

风叶 Impeller: Iron Leaf

外框 Frame: Aluminum Alloy

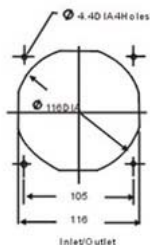
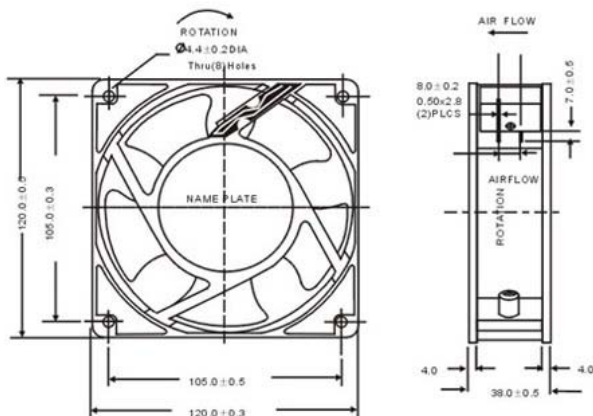
端子 Terminals: 0.5mm

引线 Lead Wire: The Mostable Wire
 (Optional)

马达 Motor: Shaded Pole External Rotor
 Induction Motor

安规认证 Safety: UL>CUL>TUV>CE>CCC

温度范围 Operation Temperature: -10°C ~ +105°C



Model (型号)	Bearing System (轴承型式)	voltage VAC (电压)	Freq. Hz (频率)	Current A (电流)	Power W (功率)	Speed RPM (转速)	Noise dBA (噪音)	Air Flow (风量)		Phase (相数)	Capacitor (电容)
								M3/hr	CFM		
TG12038HA,S	Sleeve	100~125	50/60	0.25	24	2600/3000	46/50	180/204	106/120	1	/
TG12038HA,S		200~240	50/60	0.14	22	2600/3000	46/50	180/204	106/120	1	/
TG12038HA,B	Ball	100~125	50/60	0.25	24	2600/3000	46/50	180/204	106/120	1	/
TG12038HA,B		200~240	50/60	0.14	22	2600/3000	46/50	180/204	106/120	1	/
TG12038MA,S	Sleeve	100~125	50/60	0.23	22	2000/2200	39/41	134/149	79/87	1	/
TG12038MA,S		200~240	50/60	0.13	20	2000/2200	39/41	134/149	79/87	1	/
TG12038MA,B	Ball	100~125	50/60	0.23	22	2000/2200	39/41	134/149	79/87	1	/
TG12038MA,B		200~240	50/60	0.13	20	2000/2200	39/41	134/149	79/87	1	/

