



尺寸 Size:80mmx80mmx38mm

风量 Airflow:42~54m<sup>3</sup>/hr  
25~32CFM

重量 Weight:420g

噪音 Noise:30~37dB

风叶 Impeller:Iron Leaf

外框 Frame:Aluminum Alloy

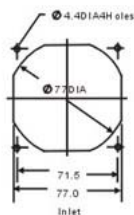
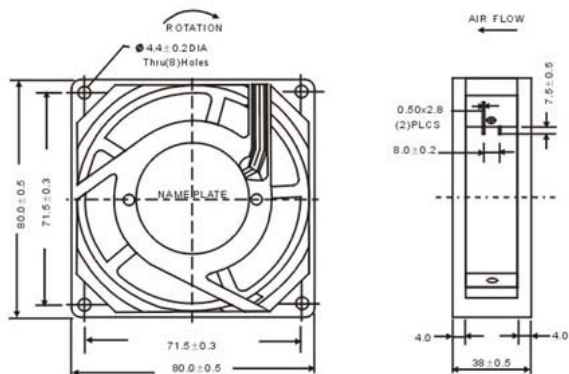
端子 Terminals: 0.5mm

引线 Lead Wire:The Mostable Wire  
(Optional)

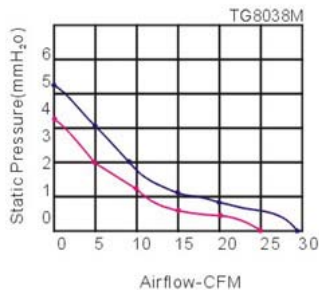
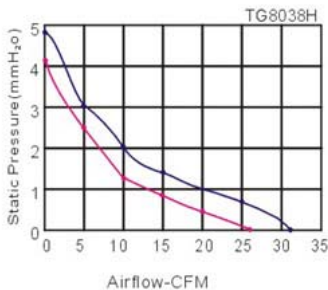
马达 Motor:Shaded Pole External Rotor  
Induction Motor

安规认证 Safety:UL>CUL>TUV>CE>CCC

温度范围 Operation Temperature:-10°C ~ +105°C



Model (型号)	Bearing System (轴承型式)	voltage VAC (电压)	Freq. Hz (频率)	Current A (电流)	Power W (功率)	Speed RPM (转速)	Noise dBA (噪音)	AirFlow (风量)		Phase (相数)	Capacitor (电容)
								M3/hr	CFM		
TG8038HA,S	Sleeve	100~125	50/60	0.13	11	2600/3000	31/37	44/54	26/32	1	/
TG8038HA <sub>2</sub> S		200~240	50/60	0.08	13	2600/3000	31/37	44/54	26/32	1	/
TG8038HA,B	Ball	100~125	50/60	0.13	11	2600/3000	31/37	44/54	26/32	1	/
TG8038HA <sub>2</sub> B		200~240	50/60	0.08	13	2600/3000	31/37	44/54	26/32	1	/
TG8038MA,S	Sleeve	100~125	50/60	0.12	11	2300/2700	30/35	42/49	25/29	1	/
TG8038MA <sub>2</sub> S		200~240	50/60	0.07	13	2300/2700	30/35	42/49	25/29	1	/
TG8038MA,B	Ball	100~125	50/60	0.12	11	2300/2700	30/35	42/49	25/29	1	/
TG8038MA <sub>2</sub> B		200~240	50/60	0.07	13	2300/2700	30/35	42/49	25/29	1	/



Key  
— 60Hz  
— 50Hz