

马达 Motor:Brushless DC,auto restart
Impedance & polarity protected

风叶外壳 Impeller & Frame:Glassfiber reinforced thermoplastic
PBT,UL94V-0

绝缘 Insulation Resistance:Min.10M at DC 500V

耐压 Dielectric Strength:500VAC/1 sec. Max.leakage

500 micro amp.

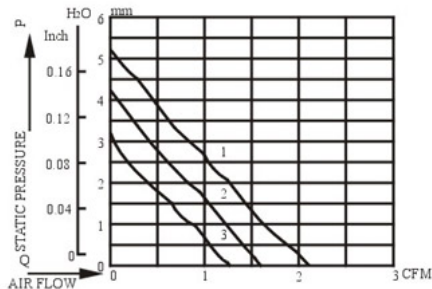
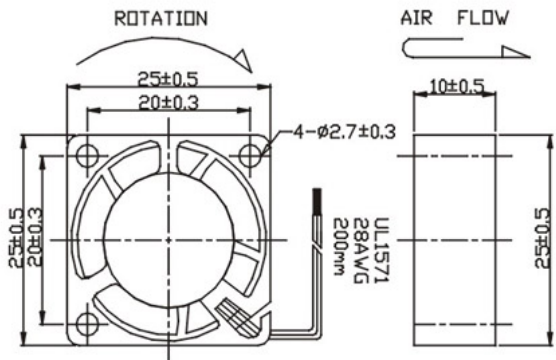
温度范围 Permissible Temp.Range:Ball bearing -20 °C~ +75 °C
Sleevel bearing -10 °C~ +50 °C

安规认证 Safety:UL>CUL>CE

寿命 Life Expectancy at 40 :Ball bearing 50000 hours
Sleeve bearing 30000 hours



BRUSHLESS FAN
25 × 25 × 10mm



| Model (型号) | Rated Voltage (VDC) (额定电压) | Startup Voltage (VDC) (启动电压) | Current Amp (A) (电流) | Speed (rpm) (转速) | Air Flow (CFM) (风量) | Static Pressure (mm-H ₂ O) (风压) | Noise Level (dB-A) (噪音) | Weight (g) (重量) |
|---------------|----------------------------------|------------------------------------|----------------------------|------------------------|---------------------------|--|-------------------------------|-----------------------|
| YM0502PFS1 | 5.0 | 3.0 | 0.08 | 10000 | 2.07 | 5.17 | 22.0 | 6.0 |
| YM0502PFB1 | | | | | | | | |
| YM0502PFS2 | | | | | | | | |
| YM0502PFB2 | 5.0 | 3.0 | 0.07 | 8000 | 1.66 | 4.14 | 19.0 | 6.0 |
| YM0502PFS3 | | | | | | | | |
| YM0502PFB3 | | | | | | | | |
| YM1202PFS1 | 12.0 | 5.0 | 0.05 | 10000 | 2.07 | 6.73 | 31.0 | 6.0 |
| YM1202PFB1 | | | | | | | | |
| YM1202PFS2 | | | | | | | | |
| YM1202PFB2 | 12.0 | 5.0 | 0.04 | 8000 | 1.66 | 5.69 | 26.0 | 6.0 |
| YM1202PFS3 | | | | | | | | |
| YM1202PFB3 | | | | | | | | |