

马达 Motor: Brushless DC, auto restart  
Impedance & polarity protected

风叶外壳 Impeller & Frame: Glassfiber reinforced thermoplastic  
PBT, UL94V-0

绝缘 Insulation Resistance: Min. 10M at DC 500V

耐压 Dielectric Strength: 500VAC/1 sec. Max. leakage  
500 micro amp.

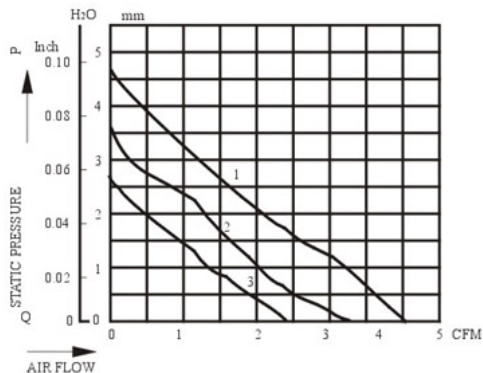
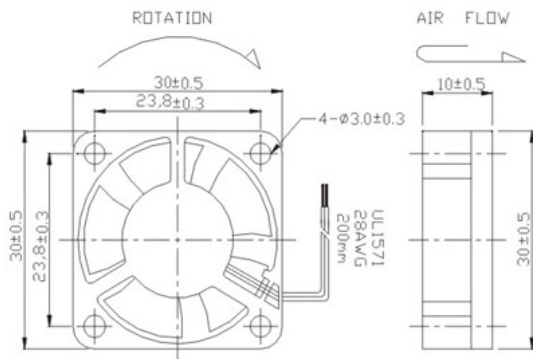
温度范围 Permissible Temp. Range: Ball bearing -20 °C ~ +75 °C  
Sleeve bearing -10 °C ~ +50 °C

安规认证 Safety: UL > CUL > CE

寿命 Life Expectancy at 40 : Ball bearing 50000 hours  
Sleeve bearing 30000 hours



BRUSHLESS FAN  
30 × 30 × 10mm



Model (型号)	Rated Voltage (VDC) (额定电压)	Startup Voltage (VDC) (启动电压)	Current Amp (A) (电流)	Speed (rpm) (转速)	Air Flow (CFM) (风量)	Static Pressure (mm-H <sub>2</sub> O) (风压)	Noise Level (dB-A) (噪音)	Weight (g) (重量)
YM0503PFS1	5.0	3.0	0.09	10000	4.44	4.47	29.0	8.0
YM0503PFB1								
YM0503PFS2	5.0	3.0	0.07	8000	3.55	3.58	23.0	8.0
YM0503PFB2								
YM0503PFS3	5.0	3.0	0.05	6000	2.66	2.68	17.0	8.0
YM0503PFB3								
YM1203PFS1	12.0	5.0	0.08	10000	4.44	4.47	29.0	8.0
YM1203PFB1								
YM1203PFS2	12.0	5.0	0.05	8000	3.55	3.58	23.0	8.0
YM1203PFB2								
YM1203PFS3	12.0	5.0	0.04	6000	2.66	2.68	17.0	8.0
YM1203PFB3								