

马达 Motor:Brushless DC,auto restart

Impedance & polarity protected

风叶外壳 Impeller & Frame:Glassfiber reinforced thermoplastic

PBT,UL94V-0

绝缘 Insulation Resistance:Min.10M at DC 500V

耐压 Dielectric Strength:500VAC/1 sec. Max.leakage

500 micro amp.

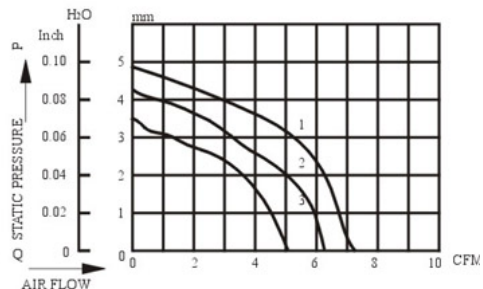
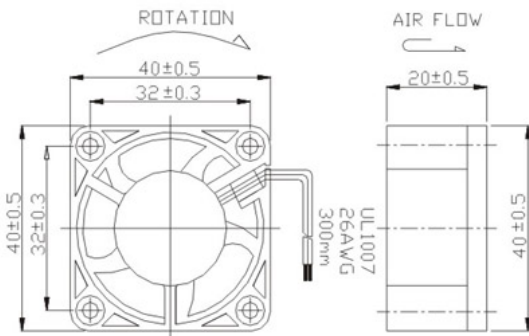
温度范围 Permissible Temp.Range:Ball bearing -20 °C ~ +75 °C
Sleevel bearing -10 °C ~ +50 °C

安规认证 Safety:UL>CUL>CE

寿命 Life Expectancy at 40 :Ball bearing 50000 hours
Sleeve bearing 30000 hours



BRUSHLESS FAN
40 × 40 × 20mm



Model (型号)	Rated Voltage (VDC) (额定电压)	Startup Voltage (VDC) (启动电压)	Current Amp (A) (电流)	Speed (rpm) (转速)	Air Flow (CFM) (风量)	Static Pressure (mm-H ₂ O) (风压)	Noise Level (dB-A) (噪音)	Weight (g) (重量)
YM0504PKS1	5.0	3.0	0.20	7000	7.25	4.80	32.0	24.0
YM0504PKB1								
YM0504PKS2								
YM0504PKB2	5.0	3.0	0.16	6000	6.21	4.11	27.0	24.0
YM0504PKS3								
YM0504PKB3								
YM1204PKS1	12.0	5.0	0.10	8000	7.25	4.80	35.0	24.0
YM1204PKB1								
YM1204PKS2								
YM1204PKB2	12.0	5.0	0.08	7000	6.21	4.11	29.0	24.0
YM1204PKS3								
YM1204PKB3								
YM2404PKS1	24.0	10.0	0.06	8000	8.28	5.49	35.0	24.0
YM2404PKB1								
YM2404PKS2								
YM2404PKB2	24.0	10.0	0.05	7000	7.25	4.80	29.0	24.0
YM2404PKS3								
YM2404PKB3								