

马达 Motor: Brushless DC, auto restart
Impedance & polarity protected

风叶外壳 Impeller & Frame: Glassfiber reinforced thermoplastic
PBT, UL94V-0

绝缘 Insulation Resistance: Min. 10M at DC 500V

耐压 Dielectric Strength: 500VAC/1 sec. Max. leakage
500 micro amp.

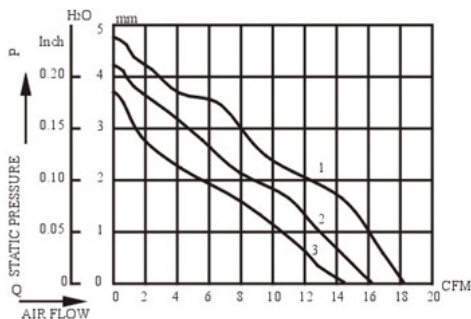
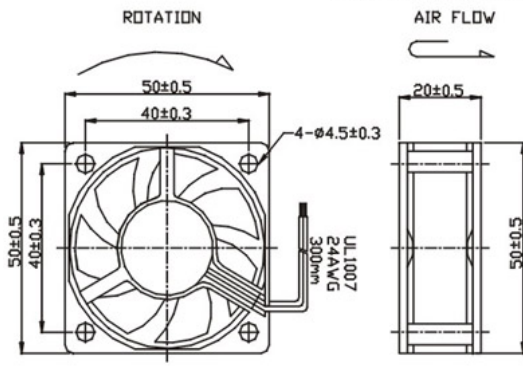
温度范围 Permissible Temp. Range: Ball bearing -20 °C ~ +75 °C
Sleeve bearing -10 °C ~ +50 °C

安规认证 Safety: UL > CUL > CE

寿命 Life Expectancy at 40 : Ball bearing 50000 hours
Sleeve bearing 30000 hours



BRUSHLESS FAN
50 × 50 × 20mm



Model (型号)	Rated Voltage (VDC) (额定电压)	Startup Voltage (VDC) (启动电压)	Current Amp (A) (电流)	Speed (rpm) (转速)	Air Flow (CFM) (风量)	Static Pressure (mm-H ₂ O) (风压)	Noise Level (dB-A) (噪音)	Weight (g) (重量)
YM1205PkS1	12.0	5.0	0.12	5000	18.15	4.72	33.0	32.0
YM1205PkB1								
YM1205PkS2	12.0	5.0	0.10	4500	16.33	4.24	29.0	32.0
YM1205PkB2								
YM1205PkS3	12.0	5.0	0.08	4000	14.52	3.77	26.0	32.0
YM1205PkB3								
YM2405PkS1	24.0	10.0	0.07	5000	18.15	4.72	33.0	32.0
YM2405PkB1								
YM2405PkS2	24.0	10.0	0.05	4500	16.33	4.24	29.0	32.0
YM2405PkB2								
YM2405PkS3	24.0	10.0	0.04	4000	14.52	3.77	26.0	32.0
YM2405PkB3								