

马达 Motor:Brushless DC,auto restart
Impedance & polarity protected

风叶外壳 Impeller & Frame:Glassfiber reinforced thermoplastic
PBT,UL94V-0

绝缘 Insulation Resistance:Min.10M at DC 500V

耐压 Dielectric Stength:500VAC/1 sec. Max.leakage
500 micro amp.

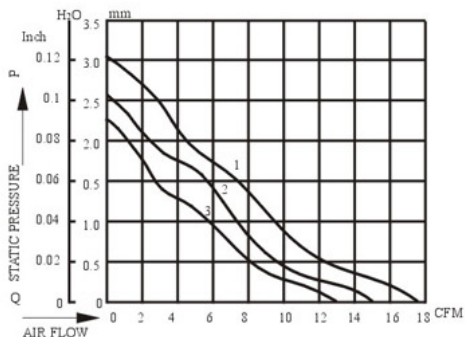
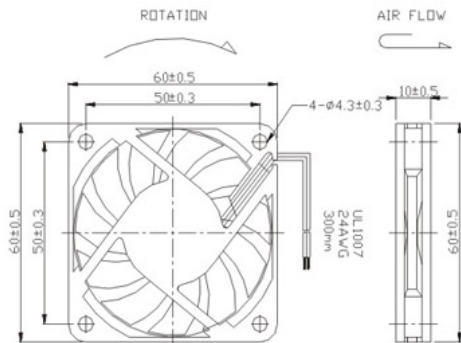
温度范围 Permissible Temp.Range:Ball bearing -20 °C ~ +75 °C
Sleeve bearing -10 °C ~ +50 °C

安规认证 Safety:UL>CUL>CE

寿命 Life Expectancy at 40 :Ball bearing 50000 hours
Sleeve bearing 30000 hours



BRUSHLESS FAN
60 × 60 × 10mm



Model (型号)	Rated Voltage (VDC) (额定电压)	Startup Voltage (VDC) (启动电压)	Current Amp (A) (电流)	Speed (rpm) (转速)	Air Flow (CFM) (风量)	Static Pressure (mm-H ₂ O) (风压)	Noise Level (dB-A) (噪音)	Weight (g) (重量)
YM1206PFS1	12.0	5.0	0.20	4000	17.30	3.18	30.0	26.0
YM1206PFB1								
YM1206PFS2	12.0	5.0	0.15	3500	15.13	2.78	26.0	26.0
YM1206PFB2								
YM1206PFS3	12.0	5.0	0.10	3000	12.98	2.39	22.0	26.0
YM1206PFB3								
YM2406PFS1	24.0	10.0	0.10	4000	17.30	3.18	30.0	26.0
YM2406PFB1								
YM2406PFS2	24.0	10.0	0.07	3500	15.13	2.78	26.0	26.0
YM2406PFB2								
YM2406PFS3	24.0	10.0	0.05	3000	12.98	2.39	22.0	26.0
YM2406PFB3								