

马达 Motor: Brushless DC, auto restart
Impedance & polarity protected

风叶外壳 Impeller & Frame: Glassfiber reinforced thermoplastic
PBT, UL94V-0

绝缘 Insulation Resistance: Min. 10M at DC 500V

耐压 Dielectric Strength: 500VAC/1 sec. Max. leakage
500 micro amp.

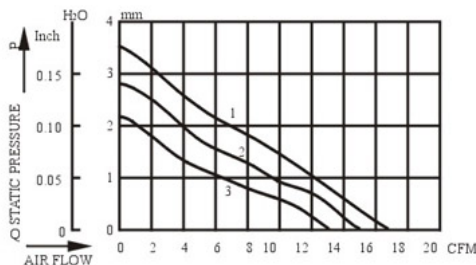
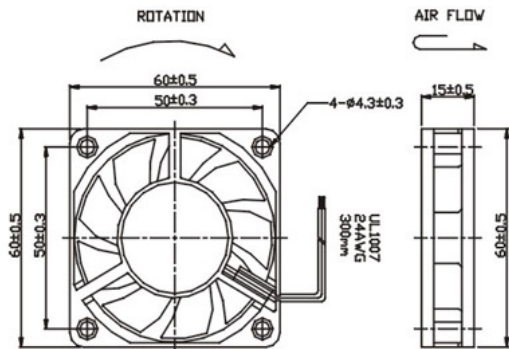
温度范围 Permissible Temp. Range: Ball bearing -20 °C ~ +75 °C
Sleeve bearing -10 °C ~ +50 °C

安规认证 Safety: UL > CUL > CE

寿命 Life Expectancy at 40 °C: Ball bearing 50000 hours
Sleeve bearing 30000 hours



BRUSHLESS FAN
60 × 60 × 15mm



Model (型号)	Rated Voltage (VDC) (额定电压)	Startup Voltage (VDC) (启动电压)	Current Amp (A) (电流)	Speed (rpm) (转速)	Air Flow (CFM) (风量)	Static Pressure (mm-H ₂ O) (风压)	Noise Level (dB-A) (噪音)	Weight (g) (重量)
YM1206PHS1	12.0	5.0	0.18	4500	16.60	3.80	31.0	42.0
YM1206PHB1								
YM1206PHS2	12.0	5.0	0.15	4000	14.76	3.38	28.0	42.0
YM1206PHB2								
YM1206PHS3	12.0	5.0	0.13	3500	12.91	2.96	26.0	42.0
YM1206PHB3								
YM2406PHS1	24.0	10.0	0.09	4500	16.60	3.80	31.0	42.0
YM2406PHB1								
YM2406PHS2	24.0	10.0	0.07	4000	14.76	3.38	28.0	42.0
YM2406PHB2								
YM2406PHS3	24.0	10.0	0.06	3500	12.91	2.96	26.0	42.0
YM2406PHB3								