

马达 Motor: Brushless DC, auto restart  
Impedance & polarity protected

风叶外壳 Impeller & Frame: Glassfiber reinforced thermoplastic  
PBT, UL94V-0

绝缘 Insulation Resistance: Min. 10M at DC 500V

耐压 Dielectric Strength: 500VAC/1 sec. Max. leakage  
500 micro amp.

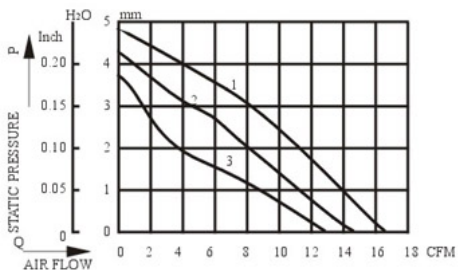
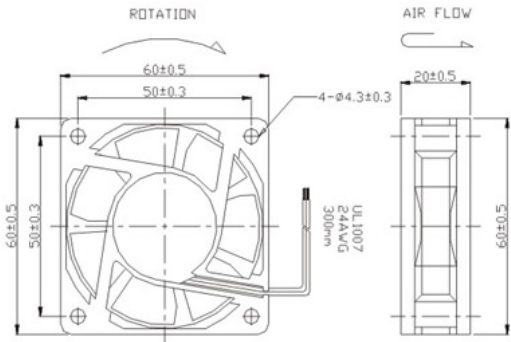
温度范围 Permissible Temp. Range: Ball bearing -20 °C ~ +75 °C  
Sleeve bearing -10 °C ~ +50 °C

安规认证 Safety: UL > CUL > CE

寿命 Life Expectancy at 40 : Ball bearing 50000 hours  
Sleeve bearing 30000 hours



BRUSHLESS FAN  
60 × 60 × 20mm



Model (型号)	Rated Voltage (VDC) (额定电压)	Startup Voltage (VDC) (启动电压)	Current Amp (A) (电流)	Speed (rpm) (转速)	Air Flow (CFM) (风量)	Static Pressure (mm-H <sub>2</sub> O) (风压)	Noise Level (dB-A) (噪音)	Weight (g) (重量)
YM1206PKS1	12.0	5.0	0.20	4500	16.40	4.86	32.0	52
YM1206PKB1								
YM1206PKS2								
YM1206PKB2	12.0	5.0	0.15	4000	14.58	4.32	28.0	52
YM1206PKS3								
YM1206PKB3								
YM2406PKS1	24.0	10.0	0.10	4500	16.40	4.86	32.0	52
YM2406PKB1								
YM2406PKS2								
YM2406PKB2	24.0	10.0	0.08	4000	14.58	4.32	28.0	52
YM2406PKS3								
YM2406PKB3								