

马达 Motor: Brushless DC, auto restart
Impedance & polarity protected

风叶外壳 Impeller & Frame: Glassfiber reinforced thermoplastic
PBT, UL94V-0

绝缘 Insulation Resistance: Min. 10M at DC 500V

耐压 Dielectric Strength: 500VAC/1 sec. Max. leakage
500 micro amp.

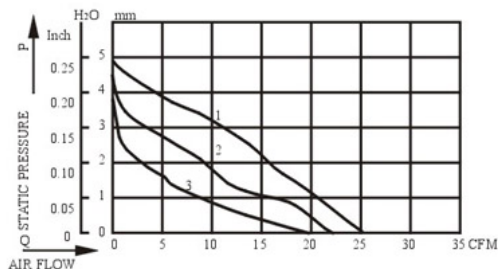
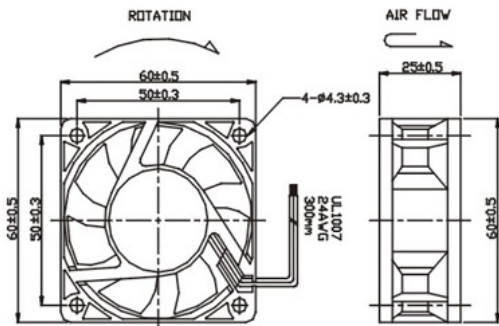
温度范围 Permissible Temp Range: Ball bearing -20 °C ~ +75 °C
Sleeve bearing -10 °C ~ +50 °C

安规认证 Safety: UL > CUL > CE

寿命 Life Expectancy at 40 : Ball bearing 50000 hours
Sleeve bearing 30000 hours



BRUSHLESS FAN
60 × 60 × 25mm



Model (型号)	Rated Voltage (VDC) (额定电压)	Startup Voltage (VDC) (启动电压)	Current Amp (A) (电流)	Speed (rpm) (转速)	Air Flow (CFM) (风量)	Static Pressure (mm-H ₂ O) (风压)	Noise Level (dB-A) (噪音)	Weight (g) (重量)
YM1206PTS1	12.0	5.0	0.20	4500	25.11	4.91	37.0	56.0
YM1206PTB1								
YM1206PTS2	12.0	5.0	0.16	4000	22.32	4.37	32.0	56.0
YM1206PTB2								
YM1206PTS3	12.0	5.0	0.13	3500	19.53	3.82	28.0	56.0
YM1206PTB3								
YM2406PTS1	24.0	10.0	0.16	4500	25.11	4.91	37.0	56.0
YM2406PTB1								
YM2406PTS2	24.0	10.0	0.13	4000	22.32	4.37	32.0	56.0
YM2406PTB2								
YM2406PTS3	24.0	10.0	0.10	3500	19.53	3.82	28.0	56.0
YM2406PTB3								