

马达 Motor:Brushless DC,auto restart
Impedance & polarity protected

风叶外壳 Impeller & Frame:Glassfiber reinforced thermoplastic
PBT,UL94V-0

绝缘 Insulation Resistance:Min.10M at DC 500V

耐压 Dielectric Strength:500VAC/1 sec. Max.leakage
500 micro amp.

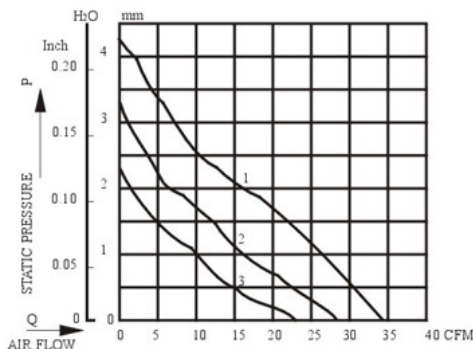
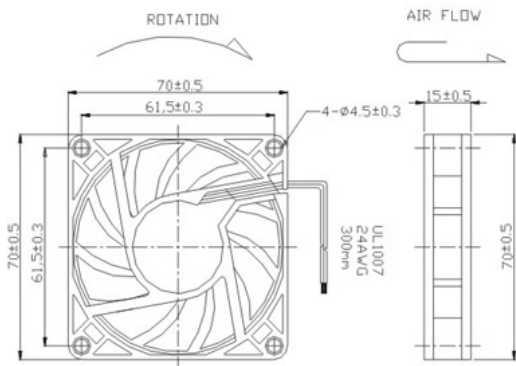
温度范围 Permissible Temp.Range:Ball bearing -20 °C~ +75 °C
Sleevel bearing -10 °C~ +50 °C

合规认证 Safety:UL>CUL>CE

寿命 Life Expectancy at 40 :Ball bearing 50000 hours
Sleeve bearing 30000 hours



BRUSHLESS FAN
70 × 70 × 15mm



Model (型号)	Rated Voltage (VDC) (额定电压)	Startup Voltage (VDC) (启动电压)	Current Amp (A) (电流)	Speed (rpm) (转速)	Air Flow (CFM) (风量)	Static Pressure (mm-H ₂ O) (风压)	Noise Level (dB-A) (噪音)	Weight (g) (重量)
YM1207PHS1	12.0	5.0	0.22	4000	34.04	4.25	39.0	48.0
YM1207PHB1								
YM1207PHS2	12.0	5.0	0.18	3500	28.45	3.24	34.0	48.0
YM1207PHB2								
YM1207PHS3	12.0	5.0	0.15	3000	23.42	2.29	29.0	48.0
YM1207PHB3								
YM2407PHS1	24.0	10.0	0.12	4000	34.04	4.25	39.0	48.0
YM2407PHB1								
YM2407PHS2	24.0	10.0	0.09	3500	28.45	3.24	34.0	48.0
YM2407PHB2								
YM2407PHS3	24.0	10.0	0.07	3000	23.42	2.29	29.0	48.0
YM2407PHB3								