

马达 Motor: Brushless DC, auto restart
Impedance & polarity protected

风叶外壳 Impeller & Frame: Glassfiber reinforced thermoplastic
PBT, UL94V-0

绝缘 Insulation Resistance: Min. 10M at DC 500V

耐压 Dielectric Strength: 500VAC/1 sec. Max. leakage
500 micro amp.

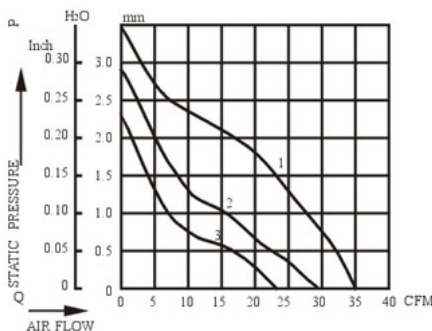
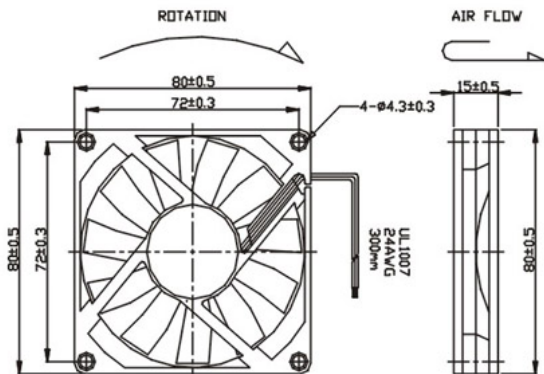
温度范围 Permissible Temp. Range: Ball bearing -20 °C ~ +75 °C
Sleeve bearing -10 °C ~ +50 °C

安规认证 Safety: UL > CUL > CE

寿命 Life Expectancy at 40 : Ball bearing 50000 hours
Sleeve bearing 30000 hours



BRUSHLESS FAN
80 × 80 × 15mm



Model (型号)	Rated Voltage (VDC) (额定电压)	Startup Voltage (VDC) (启动电压)	Current Amp (A) (电流)	Speed (rpm) (转速)	Air Flow (CFM) (风量)	Static Pressure (mm-H ₂ O) (风压)	Noise Level (dB-A) (噪音)	Weight (g) (重量)
YM1208PHS1	12.0	5.0	0.20	3000	35.00	3.48	33.0	54.0
YM1208PHB1								
YM1208PHS2	12.0	5.0	0.15	2500	29.17	2.90	28.0	54.0
YM1208PHB2								
YM1208PHS3	12.0	5.0	0.10	2000	23.33	2.32	22.0	54.0
YM1208PHB3								
YM2408PHS1	24.0	10.0	0.13	3000	35.00	3.48	33.0	54.0
YM2408PHB1								
YM2408PHS2	24.0	10.0	0.09	2500	29.17	2.90	28.0	54.0
YM2408PHB2								
YM2408PHS3	24.0	10.0	0.06	2000	23.33	2.32	22.0	54.0
YM2408PHB3								