

马达 Motor:Brushless DC,auto restart
Impedance & polarity protected

风叶外壳 Impeller & Frame:Glassfiber reinforced thermoplastic
PBT,UL94V-0

绝缘 Insulation Resistance:Min.10M at DC 500V

耐压 Dielectric Stength:500VAC/1 sec. Max.leakage
500 micro amp.

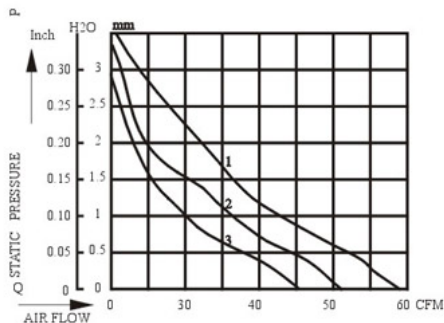
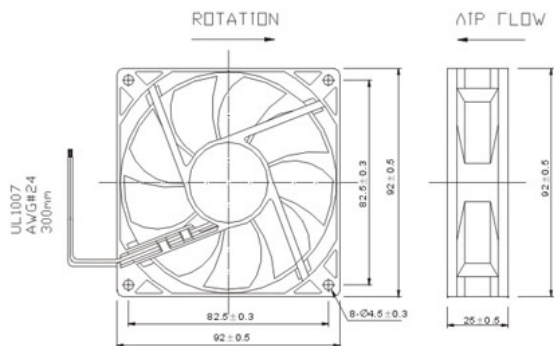
温度范围 Permissible Temp.Range:Ball bearing -20 °C ~ +75 °C
Sleeve bearing -10 °C ~ +50 °C

安规认证 Safety:UL>CUL>CE

寿命 Life Expectancy at 40 :Ball bearing 50000 hours
Sleeve bearing 30000 hours



BRUSHLESS FAN
92 × 92 × 25mm



Model (型号)	Rated Voltage (VDC) (额定电压)	Startup Voltage (VDC) (启动电压)	Current Amp (A) (电流)	Speed (rpm) (转速)	Air Flow (CFM) (风量)	Static Pressure (mm-H ₂ O) (风压)	Noise Level (dB-A) (噪音)	Weight (g) (重量)
YM1209PTS1	12.0	5.0	0.34	2800	57.47	3.74	34.0	78.0
YM1209PTB1			0.31					
YM1209PTS2	12.0	5.0	0.26	2500	51.31	3.34	28.0	78.0
YM1209PTB2			0.25					
YM1209PTS3	12.0	5.0	0.17	2200	45.16	2.94	22.0	78.0
YM1209PTB3			0.16					
YM2409PTS1	24.0	10.0	0.20	2700	57.47	3.74	34.0	78.0
YM2409PTB1			0.17					
YM2409PTS2	24.0	10.0	0.17	2500	51.31	3.34	28.0	78.0
YM2409PTB2			0.16					
YM2409PTS3	24.0	10.0	0.12	2200	45.16	2.94	22.0	78.0
YM2409PTB3								