

马达 Motor: Brushless DC, auto restart
Impedance & polarity protected

风叶外壳 Impeller & Frame: Glassfiber reinforced thermoplastic
PBT, UL94V-0

绝缘 Insulation Resistance: Min. 10M at DC 500V

耐压 Dielectric Strength: 500VAC/1 sec. Max. leakage
500 micro amp.

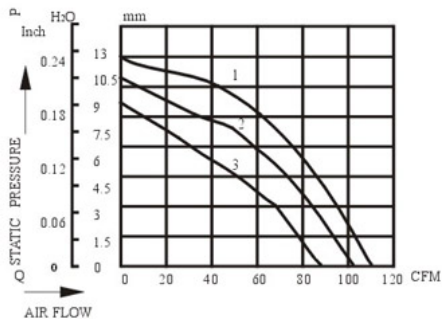
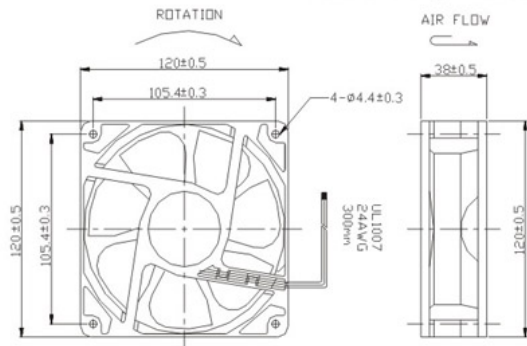
温度范围 Permissible Temp. Range: Ball bearing -20 °C ~ +75 °C
Sleeve bearing -10 °C ~ +50 °C

安规认证 Safety: UL > CUL > CE

寿命 Life Expectancy at 40 °C: Ball bearing 50000 hours
Sleeve bearing 30000 hours



BRUSHLESS FAN
120 × 120 × 38mm



Model (型号)	Rated Voltage (VDC) (额定电压)	Startup Voltage (VDC) (启动电压)	Current Amp (A) (电流)	Speed (rpm) (转速)	Air Flow (CFM) (风量)	Static Pressure (mm-H ₂ O) (风压)	Noise Level (dB-A) (噪音)	Weight (g) (重量)
YM1212PMS1	12.0	5.0	0.63	3000	114.26	10.39	42.0	262.0
YM1212PMB1			0.56					
YM1212PMS2	12.0	5.0	0.45	2700	102.83	9.35	37.0	262.0
YM1212PMB2			0.38					
YM1212PMS3	12.0	5.0	0.30	2400	91.41	8.31	33.0	262.0
YM1212PMB3			0.27					
YM2412PMS1	24.0	10.0	0.33	3000	114.26	10.39	42.0	262.0
YM2412PMB1			0.31					
YM2412PMS2	24.0	10.0	0.24	2700	102.83	9.35	37.0	262.0
YM2412PMB2			0.22					
YM2412PMS3	24.0	10.0	0.17	2400	91.41	8.31	33.0	262.0
YM2412PMB3			0.15					
YM4812PMS1	48.0	20.0	0.17	3000	114.26	10.39	42.0	262.0
YM4812PMB1			0.16					
YM4812PMS2	48.0	20.0	0.13	2700	102.83	9.35	37.0	262.0
YM4812PMB2			0.12					
YM4812PMS3	48.0	20.0	0.10	2400	91.41	8.31	33.0	262.0
YM4812PMB3			0.09					