

马达 Motor: Brushless DC, auto restart  
Impedance & polarity protected

风叶外壳 Impeller & Frame: Glassfiber reinforced thermoplastic  
PBT, UL94V-0

绝缘 Insulation Resistance: Min. 10M at DC 500V

耐压 Dielectric Strength: 500VAC/1 sec. Max. leakage  
500 micro amp.

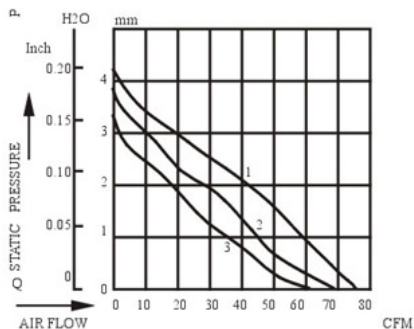
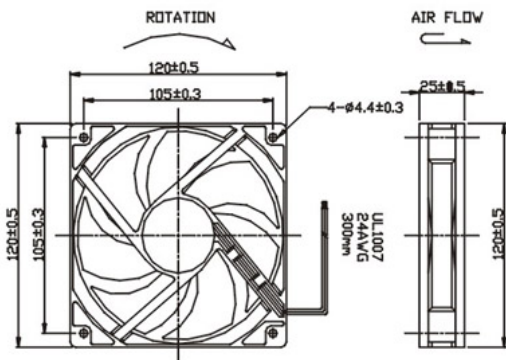
温度范围 Permissible Temp. Range: Ball bearing -20 °C ~ +75 °C  
Sleeve bearing -10 °C ~ +50 °C

安规认证 Safety: UL > CUL > CE

寿命 Life Expectancy at 40 : Ball bearing 50000 hours  
Sleeve bearing 30000 hours



BRUSHLESS FAN  
120 × 120 × 25mm



Model (型号)	Rated Voltage (VDC) (额定电压)	Startup Voltage (VDC) (启动电压)	Current Amp (A) (电流)	Speed (rpm) (转速)	Air Flow (CFM) (风量)	Static Pressure (mm-H <sub>2</sub> O) (风压)	Noise Level (dB-A) (噪音)	Weight (g) (重量)
YM1212PTS1	12.0	5.0	0.20	2200	74.06	4.26	350	140.0
YM1212PTB1			0.19					
YM1212PTS2	12.0	5.0	0.17	2000	67.33	3.88	31.0	140.0
YM1212PTB2			0.16					
YM1212PTS3	12.0	5.0	0.14	1800	60.60	3.49	28.0	140.0
YM1212PTB3			0.12					
YM2412PTS1	24.0	10.0	0.13	2200	74.06	4.26	35.0	140.0
YM2412PTB1			0.12					
YM2412PTS2	24.0	10.0	0.12	2000	67.33	3.88	31.0	140.0
YM2412PTB2			0.11					
YM2412PTS3	24.0	10.0	0.10	1800	60.60	3.49	28.0	140.0
YM2412PTB3			0.09					