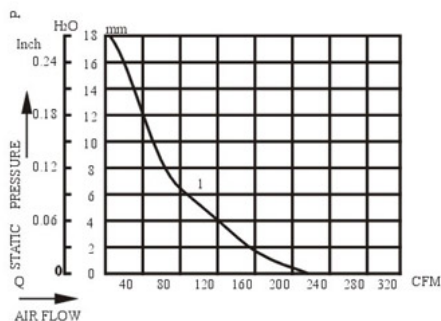
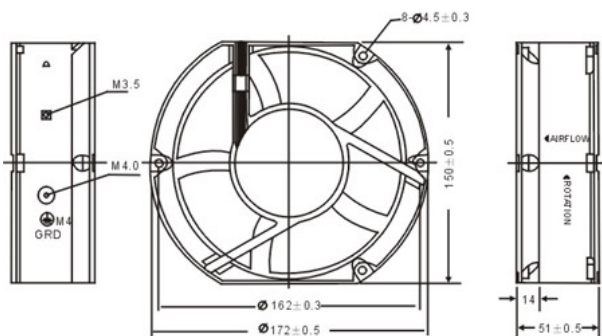


详细介绍:

- 马达 Motor:Brushless DC,auto restart
Impedance & polarity protected
- 风叶 Impeller & Frame:Glassfiber reinforced thermoplastic
PBT,UL94V-0
- 外框 Frame: Aluminum Alloy
- 绝缘 Insulation Resistance:Min.10M at DC 500V
- 耐压 Dielectric Stength:500VAC/1 sec. Max.leakage
500 micro amp.
- 温度范围 Permissible Temp.Range:Ball bearing -20 °C~ +75 °C
Sleevel bearing -10 °C~ +50 °C
- 安规认证 Safety:UL>CUL>CE
- 寿命 Life Expectancy at 40 :Ball bearing 50000 hours



Model (型号)	Rated Voltage (VDC) (额定电压)	Startup Voltage (VDC) (启动电压)	Current Amp (A) (电流)	Speed (rpm) (转速)	Air Flow (CFM) (风量)	Static Pressure (mm-H ₂ O) (风压)	Noise Level (dB-A) (噪音)	Weight (g) (重量)
YM2415PNS1	24	12	0.55	3100	222	18.26	53	750.0
YM4815PNS1	48	24	0.35	3100	222	18.26	53	750.0